

PRODUCTIVE ACCURACY

450 SERIES
MICROGRINDER

PRECISION GRINDING ON NON-METALLIC RIGID MATERIALS



*HIGH PRESSURE LAMINATES *MICA *COMPOSITES

*RUBBER *FELT *PLASTICS *CORK

*CMP PRODUCTS

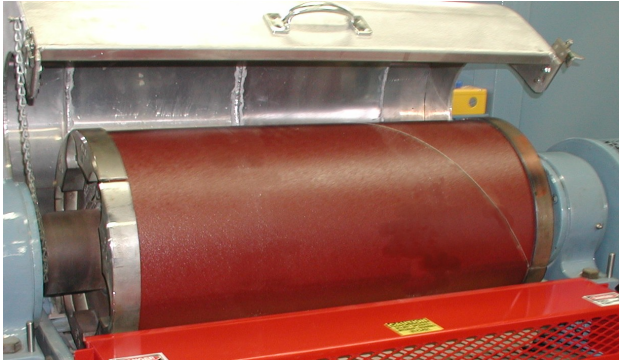
CURTIN-HEBERT MACHINES

11 Forest Street P.O. Box 511
Gloversville, New York 12078-0511
PH 518-725-7157 FAX 518-773-3805

EMAIL: www.info@curtinhebert.com

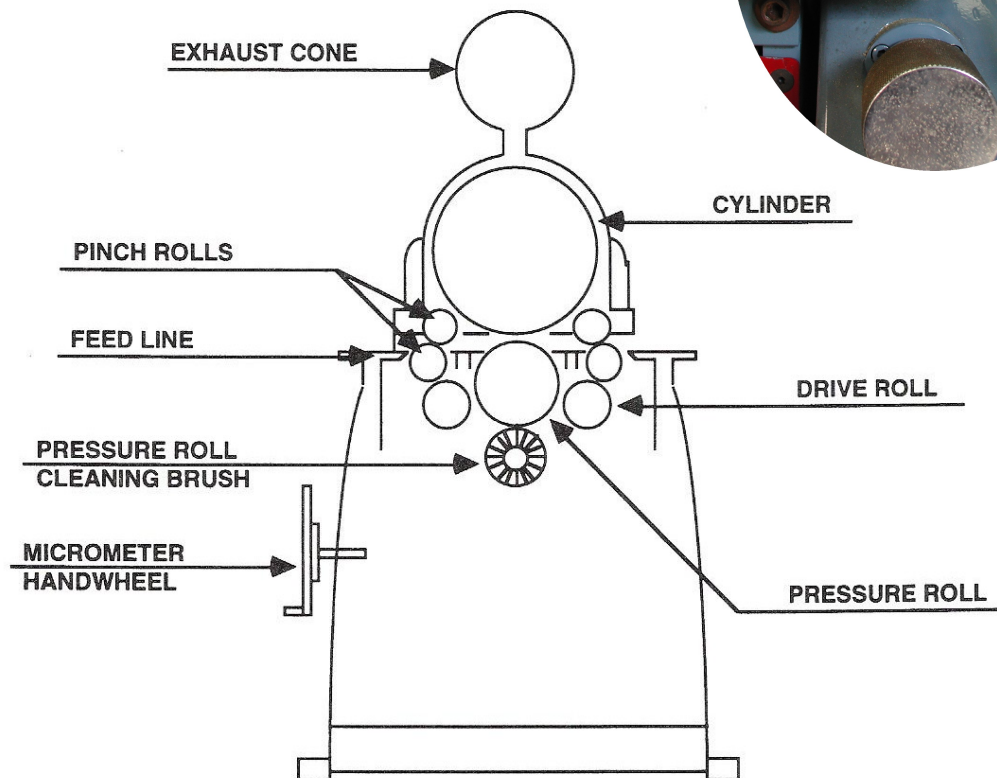
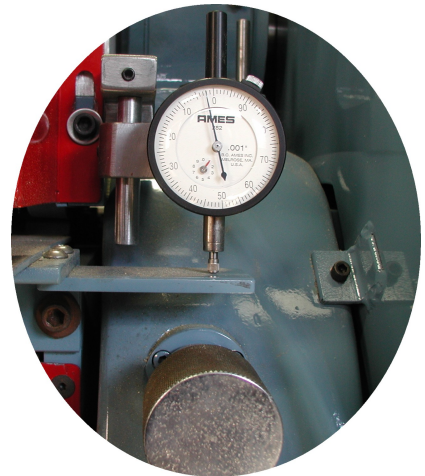
PRODUCTIVE ACCURACY

450 SERIES MICROGRINDER



When making adjustments finer than can be made with the machine's dial indicator, the graduated collar is used. One complete turn of the hand wheel moves the pressure roll .005".

The heart of the machine is a dynamically balanced cylinder to which industrial coated abrasive is applied. The cylinder is drilled for water circulation to help diffuse friction heat, preventing distortion of the .0005" concentricity.



AVAILABLE IN STANDARD WIDTHS OF 24", 40" AND 52"

Larger widths also available upon request

Demonstration equipment available at our Gloversville Plant.
Send or bring us your samples or finishing problems.